

ECS-320/325/330P72

72PCS Polycrystalline five screen module

Electrical Paramete @ STC

Maximum power Pmp (W)	320	325	330
The power of tolerance	0~+3%	0~+3%	0~+3%
Operating voltage at the maximum power point Vmp (V)	36.7	36.9	37.1
Maximum power point operating current Imp (A)	8.72	8.81	8.89
Open-circuit voltage Voc (V)	45.5	45.7	45.7
Short-circuit current Isc (A)	9.32	9.36	9.38
The efficiency of the component (%)	16.5	16.7	17.0

*Standard test conditions (STC) : irradiance1000W/m², Battery temperature25°C, SpectrumAM1.5

Electrical Paramete @ NOCT

Maximum power Pmp(W)	236.4	240.1	243.5
Operating voltage at the maximum power point Vmp(V)	33.75	34.04	34.35
Maximum power point operating current Imp(A)	7.00	7.05	7.09
Open circuit voltage Voc(V)	42.06	42.23	42.39
Short circuit current Isc(A)	7.54	7.57	7.61

*The battery plate is labeled working temperature conditions(NOCT): irradiance800W/m², Ambient temperature20°C, SpectrumAM1.5, Wind speed1m/s

Temperature Coefficient

Maximum power Pmp temperature coefficient	-0.40%/°C
Open circuit voltage VOC temperature coefficient	-0.31%/0.31%/°C
Short circuit current LSC temperature coefficient	+0.055%/°C

Mechanical Parameter

Battery specification	Polycrystalline 156.75 × 156.75mm
Number of component and batteries	72PCS(6 × 12)
Component size	1957 × 992 × 40mm
Weight	22.5kg
Component frame	Anodize
Junction box	IP67, 3 diode
Cable	4.0mm ² , 900mm

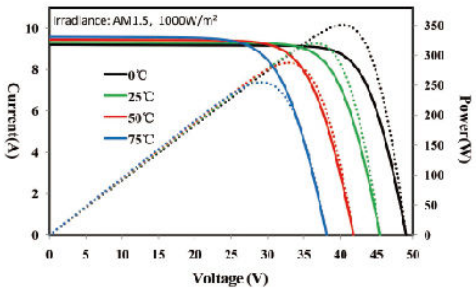
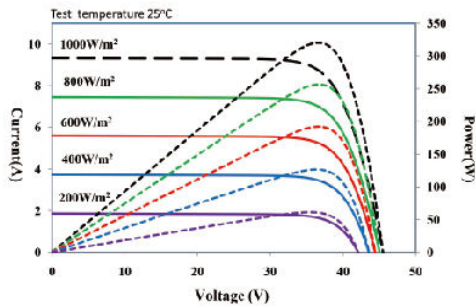
Operating Parameter

Maximum system voltage (V)	1000(DC)
Working temperature (°C)	-40~+85
Maximum wind load/maximum snow load (pa)	2400/5400
Maximum fuse rated current (A)	15
Application level	Class A
Fire rating	Class C
Rated battery operating temperature (°C)	45 ± 2

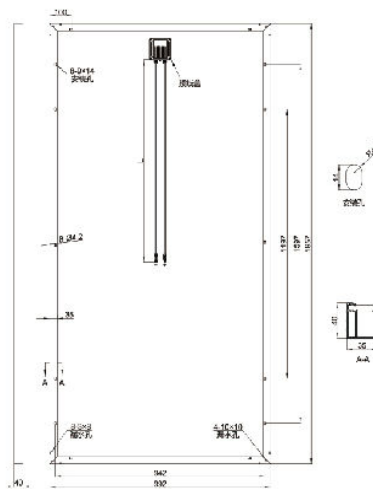
Packaging information

loading 0.6m/13m/17.5m	459 / 612 / 1257PCS
The container 20'GP/40'GP/40'HQ	240 / 528 / 572PCS
Single tower number	24PCS

I-V curve/ ECS-325



Assembly drawing (Unit: mm)



Product Drawing

